

SE - PH1

Wired Photocells (9m)

MANUAL

Preliminary Installation and Operating Instruction

DESCRIPTION:

The SE-PH2 photocells are designed to detect obstacles in automatic door and gate installations, preventing collision with the door /gate. They are made up of an infrared transmitter module (TX) and receiver module (RX). If a person or object interrupts the beam of light emitted by transmitter (TX) (or the beam does not reach the receiver due to failure or loss of setting), the receiver (RX) enables the corresponding relay and informs the installation control unit.

FEATURE:

- Power supply: 12V AC/DC or 24V AC/DC.
- Consumption (at 24VDC): TX: 20mA, RX: 25mA
- Wavelength: 940nm
- Rotate angle: 180
- Infrared beam frequency: 1kHz
- Response time: 110mS
- Operating temperature: -20C° / +60C°
- IP protection: 44
- Relay contacts capacity: 1A at 24VDC
- Infrared beam range: 30m maximum (9m in adverse conditions)

JUMPER Conguration:

- J1 (LONG): range between 10m and 30m
- J1 (NORMAL): range less than 10m
- J2 (1-2): less sensitivity to avoid snow and rain weather
- J2 (2-3): more sensitivity to detect obstacle

INSTALLATION:

- 1) Install the receiver (RX) keep away from direct sunlight (infrared radiation).
- 2) Choose a location for the transmitter and receiver equipment. The two modules should be as aligned as possible.
- 3) The installation height of photocells will depend on the installation (in general, we recommend installation at a height of less than 300mm from the ground and at a distance of less than 200mm from the leaf of the gate).
- 4) Connect the electrical power supply. When the receiver correctly receives the beam sent by transmitter, the NC contact remains closed and LED light off. When the beam is interrupted, the NC contact opens and LED light on.

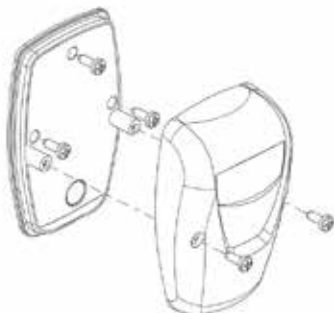


Figure 1. Installation

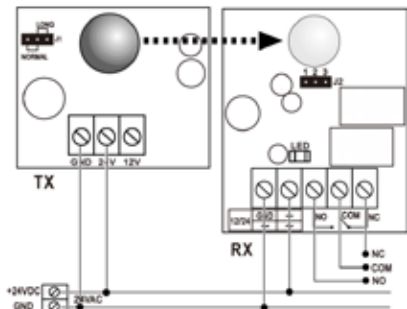


Figure 2.
Connect with 24VDC or 24VAC

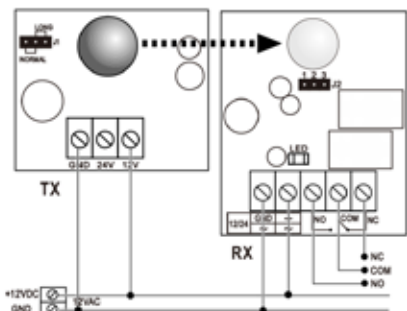


Figure 3.
Connect with 12VDC or 12VAC